

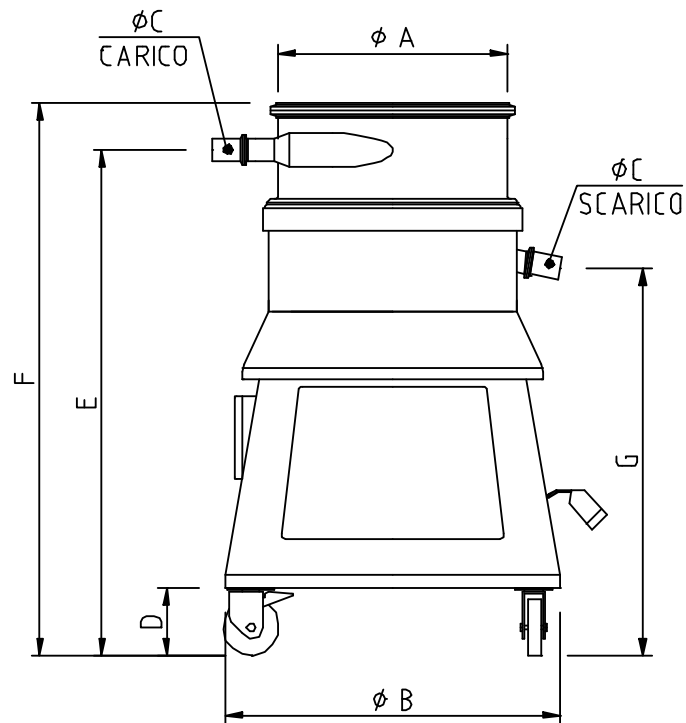
VBD Model

Model	VBD 50	VBD 80
Ø A	515	815
Ø B	745	1045
Ø C	50.8 (TC 2")	63.5 (TC 2 ½)
D	152	152
E	1126	1126
F	1234	1234
G	865	865
*Kg/h	200/400	600/800
** Kw	0,30	0,30

* The productive capacity is function of the mesh in use and of the physical-chemical properties of the product.

** Electric vibrator

The above dimensions are indicative and can be modified by COS.MEC. without notice



VB-G Model

Model	VBG 50	VBG 80
Ø A	515	815
Ø B	745	1045
Ø C	101.6 (4")	101.6 (4")
D	152	152
E	960	960
F	1234	1234
G	770	770
H	1000	1300
*Kg/h	200/600	400/800
** Kw	0,30	0,30



* The productive capacity is function of the mesh in use and of the physical-chemical properties of the product.

** Electric vibrator

The above dimensions are indicative and can be modified by COS.MEC. without notice

